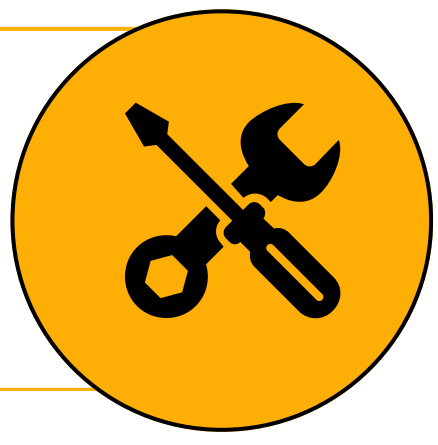
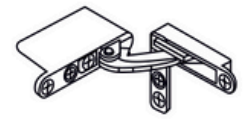



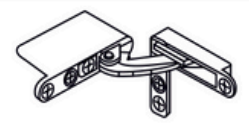





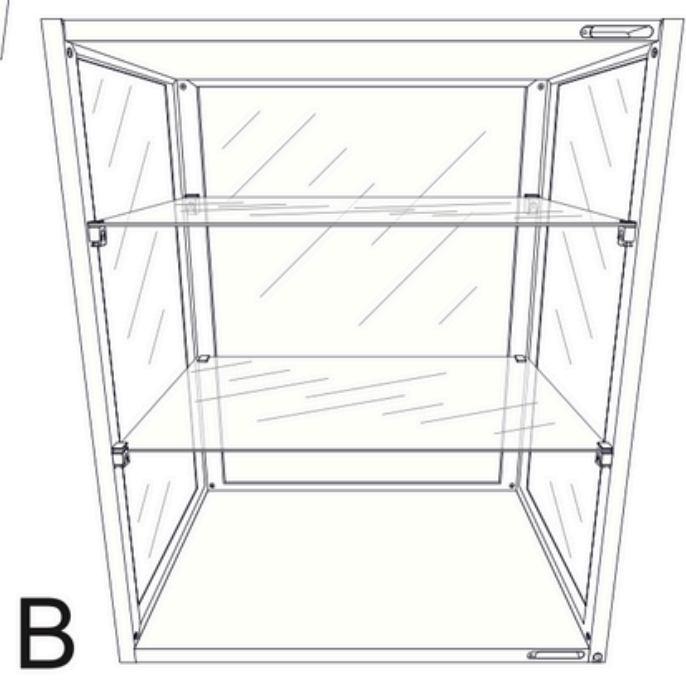
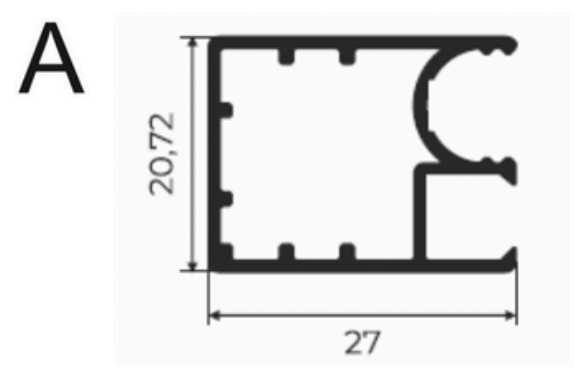
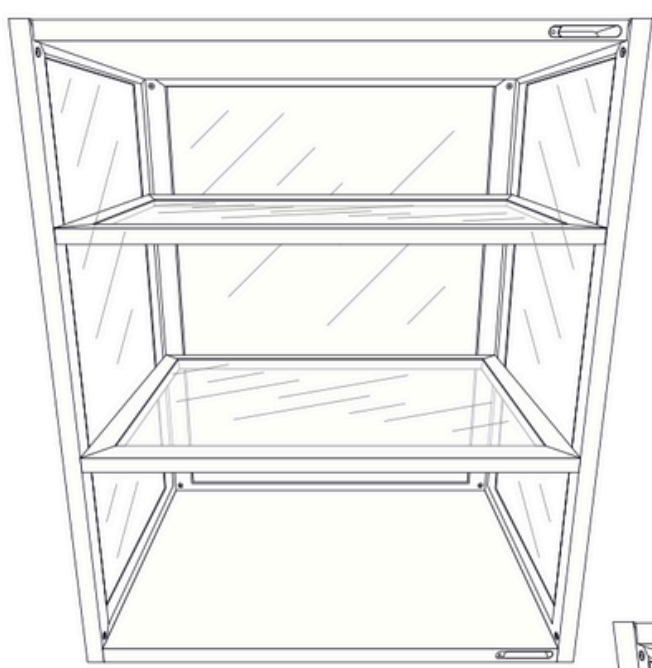
ASSEMBLING: DISPLAY CASES

TOOLS

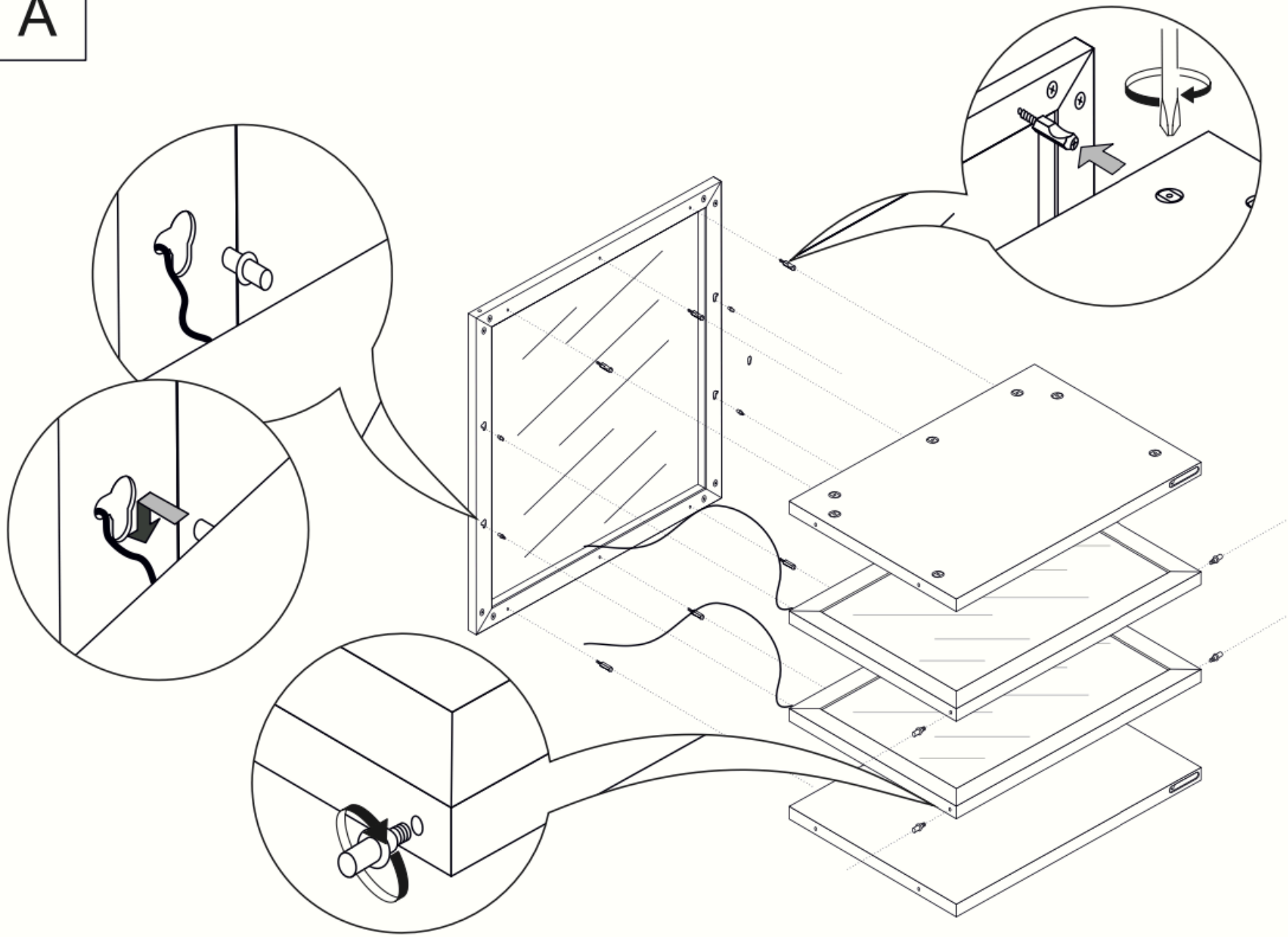
For installation, you'll need a screwdriver along with the following essential tools. The process should take 20 minutes.



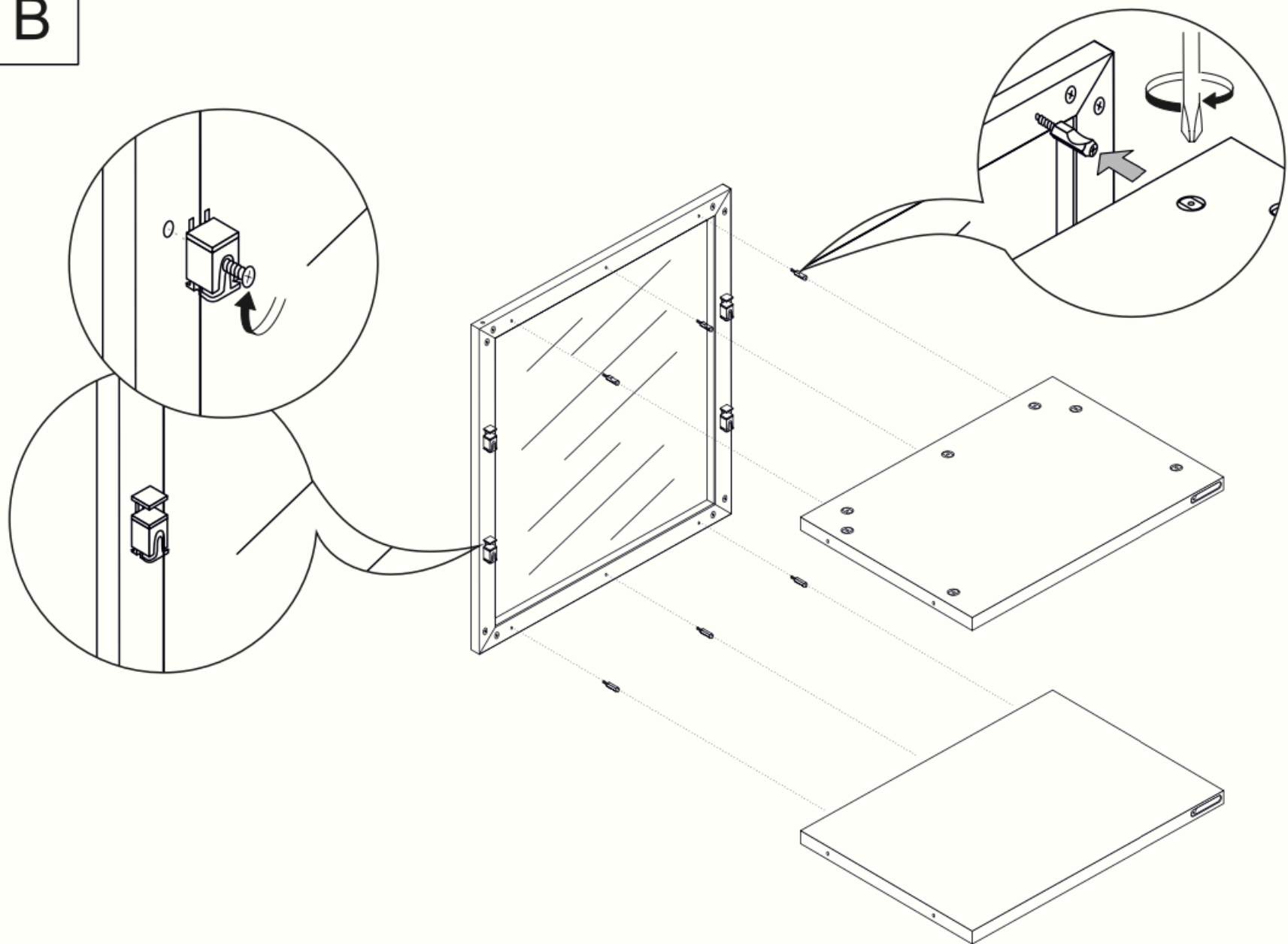
OPTION A	 HIN	 PIN M4-M6	 SHELF	 FLIP M4
OPTION B	 HIN	 PIN M4-M6	 GLA #4-#8	 KUB M3



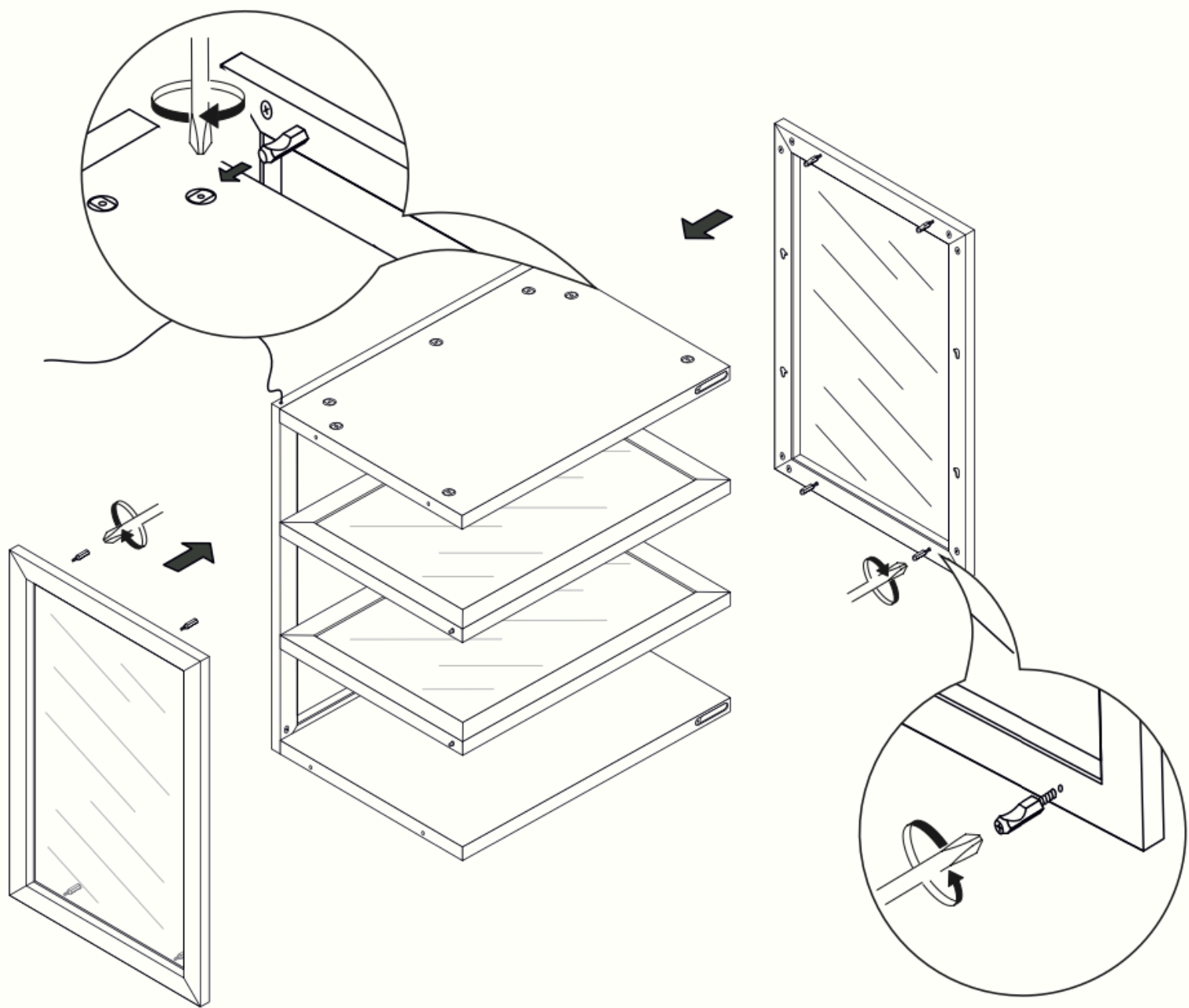
1 A



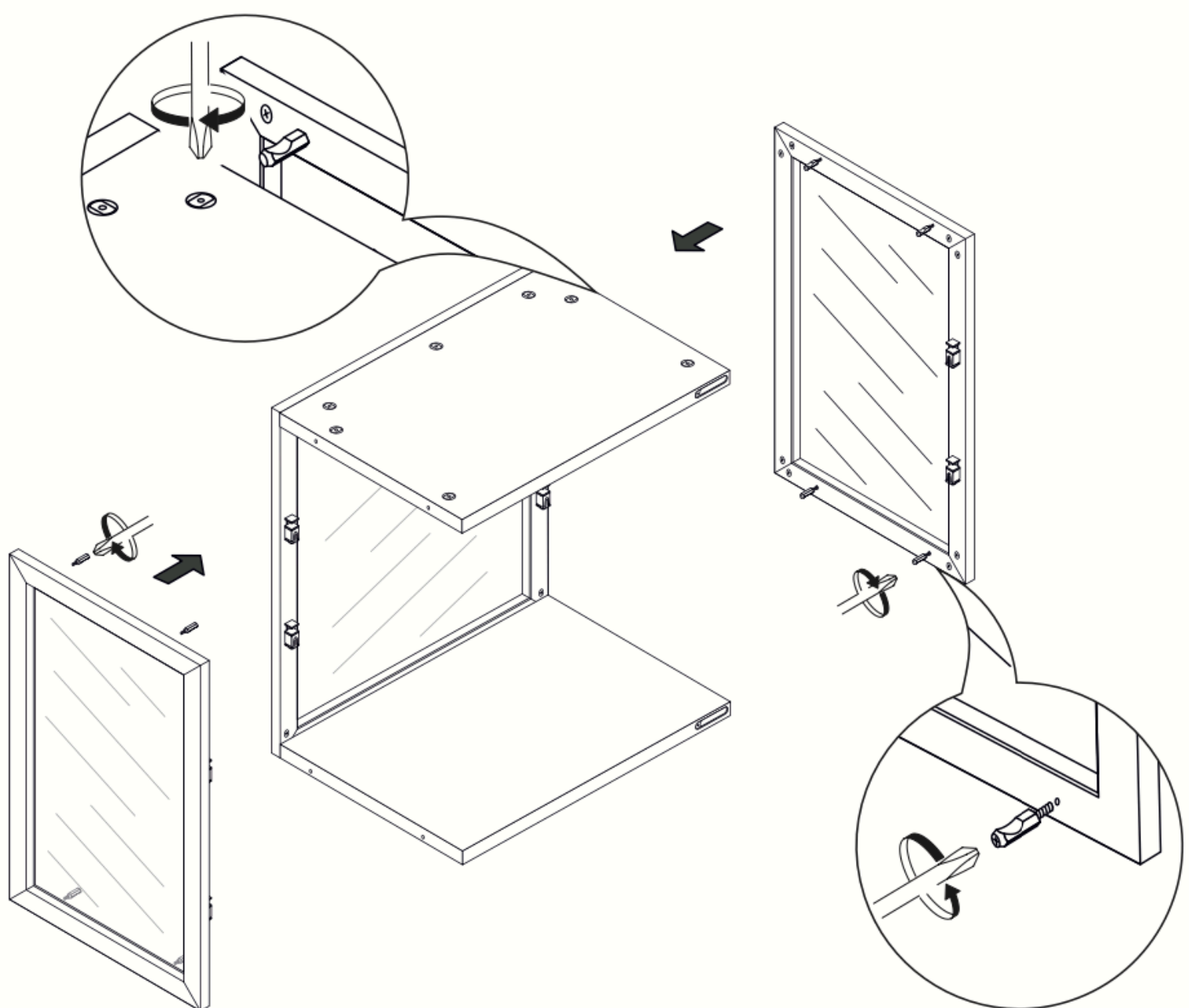
1 B



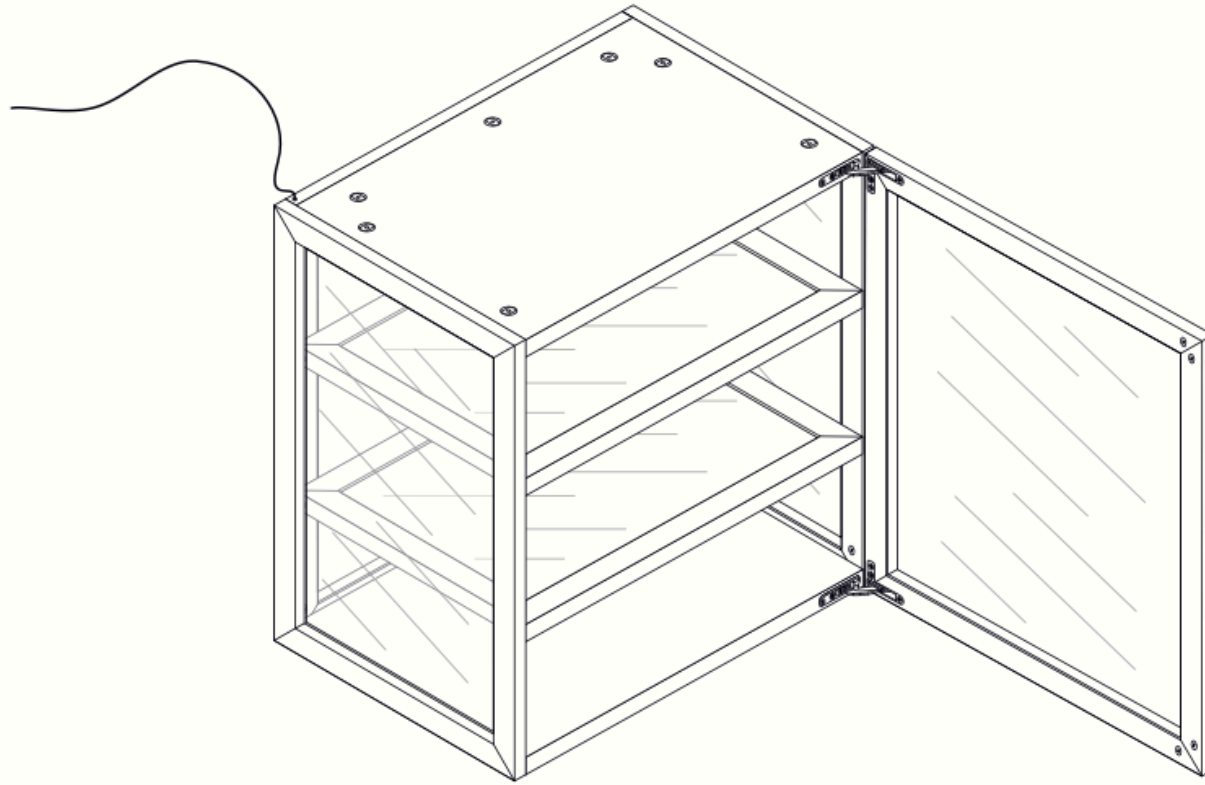
2 A



2 B



3 A



3 B

