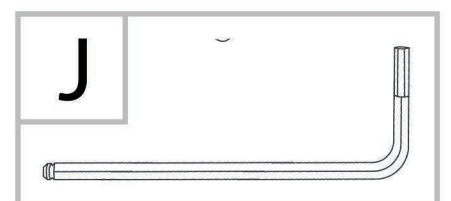
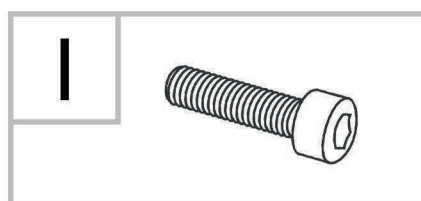
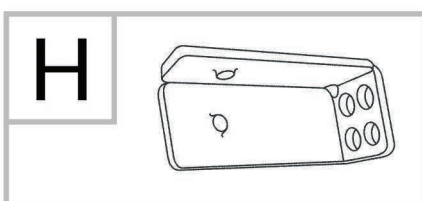
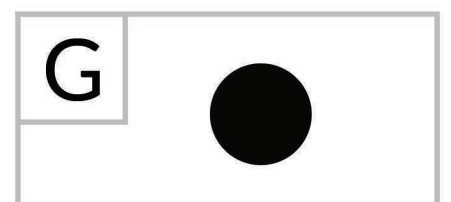
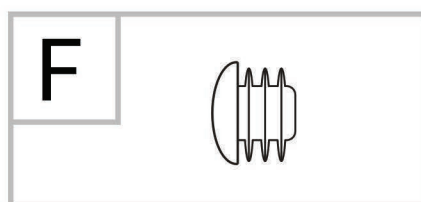
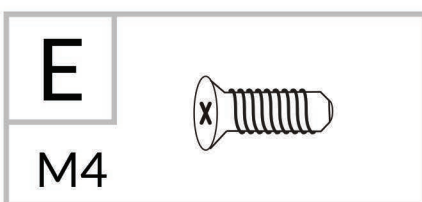
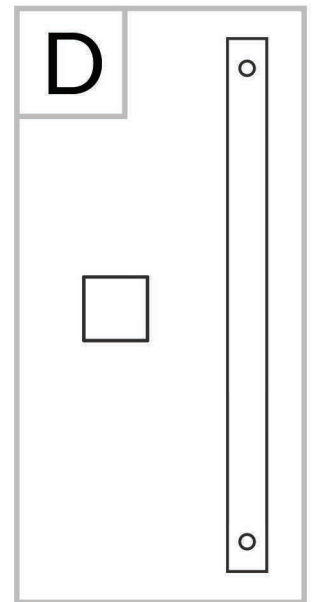
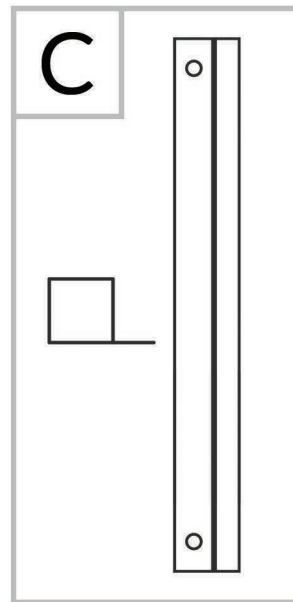
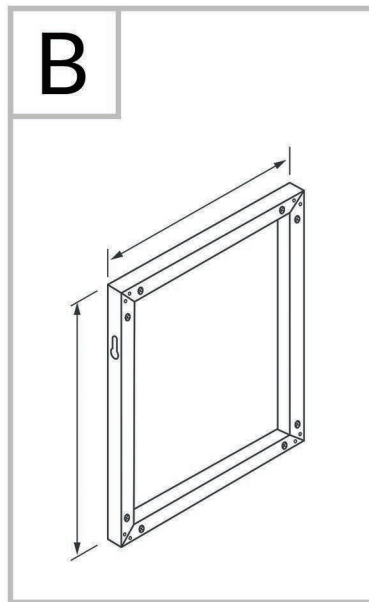
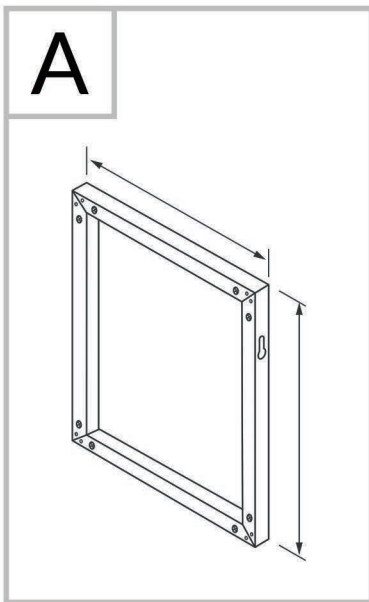
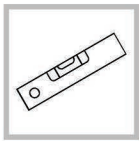
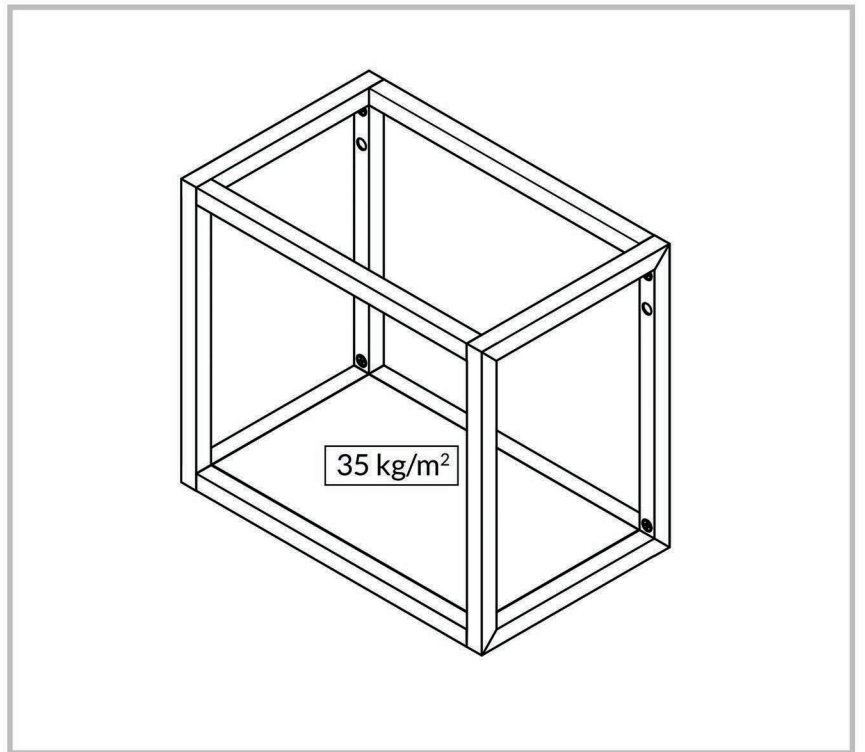


ASSEMBLY INSTRUCTIONS

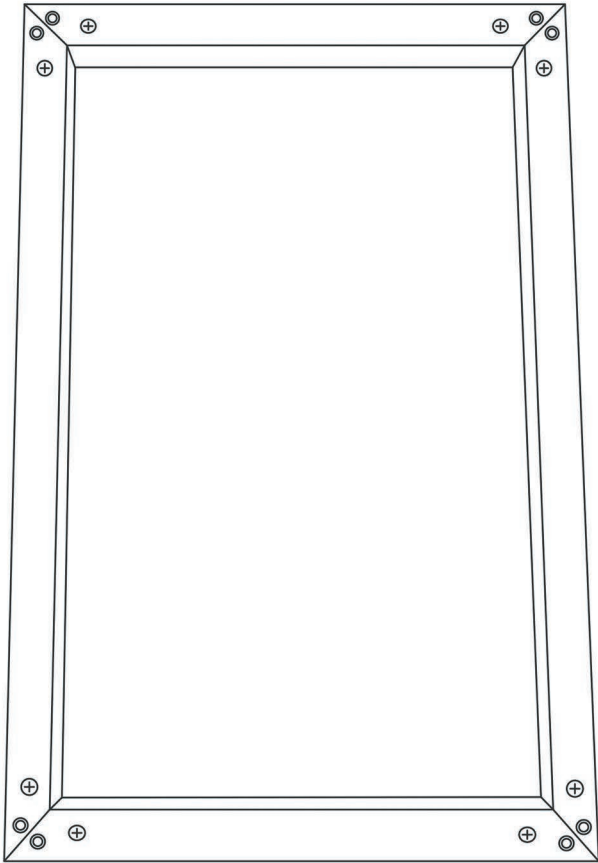
Please read the assembly instructions before mounting.

SYSTEM

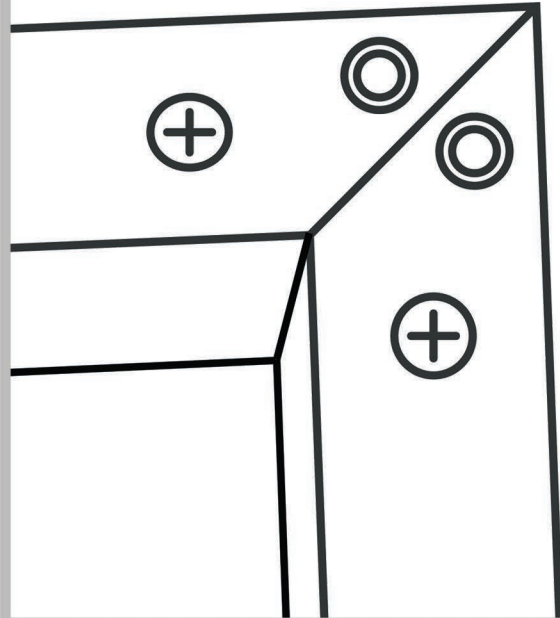
QB **it**



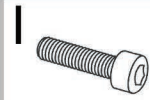
1 A



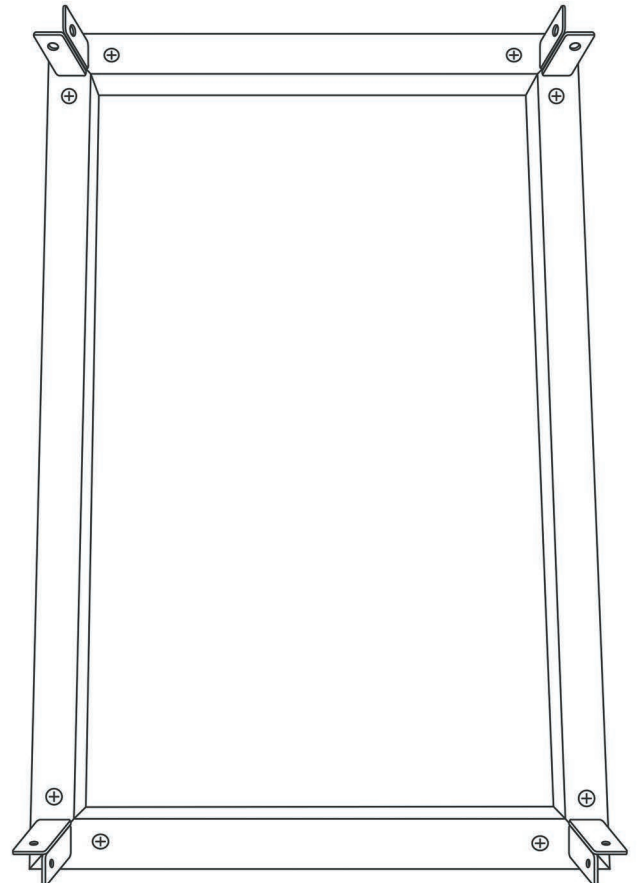
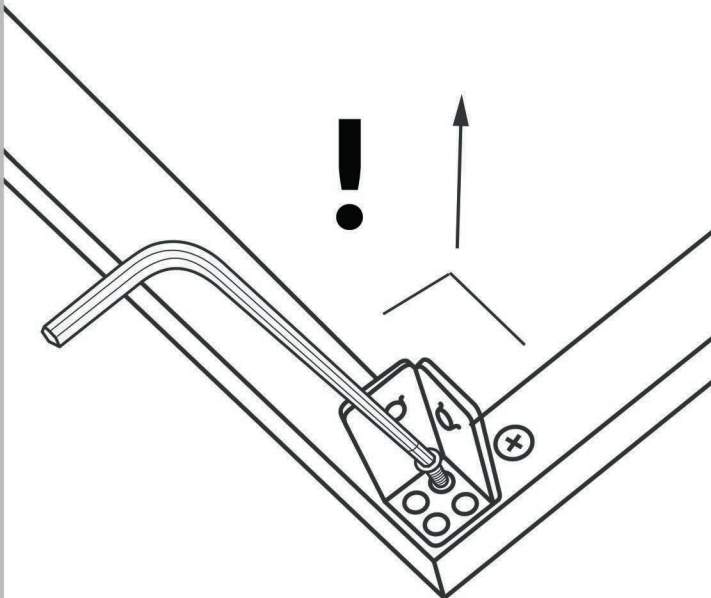
2 A



3 A



4



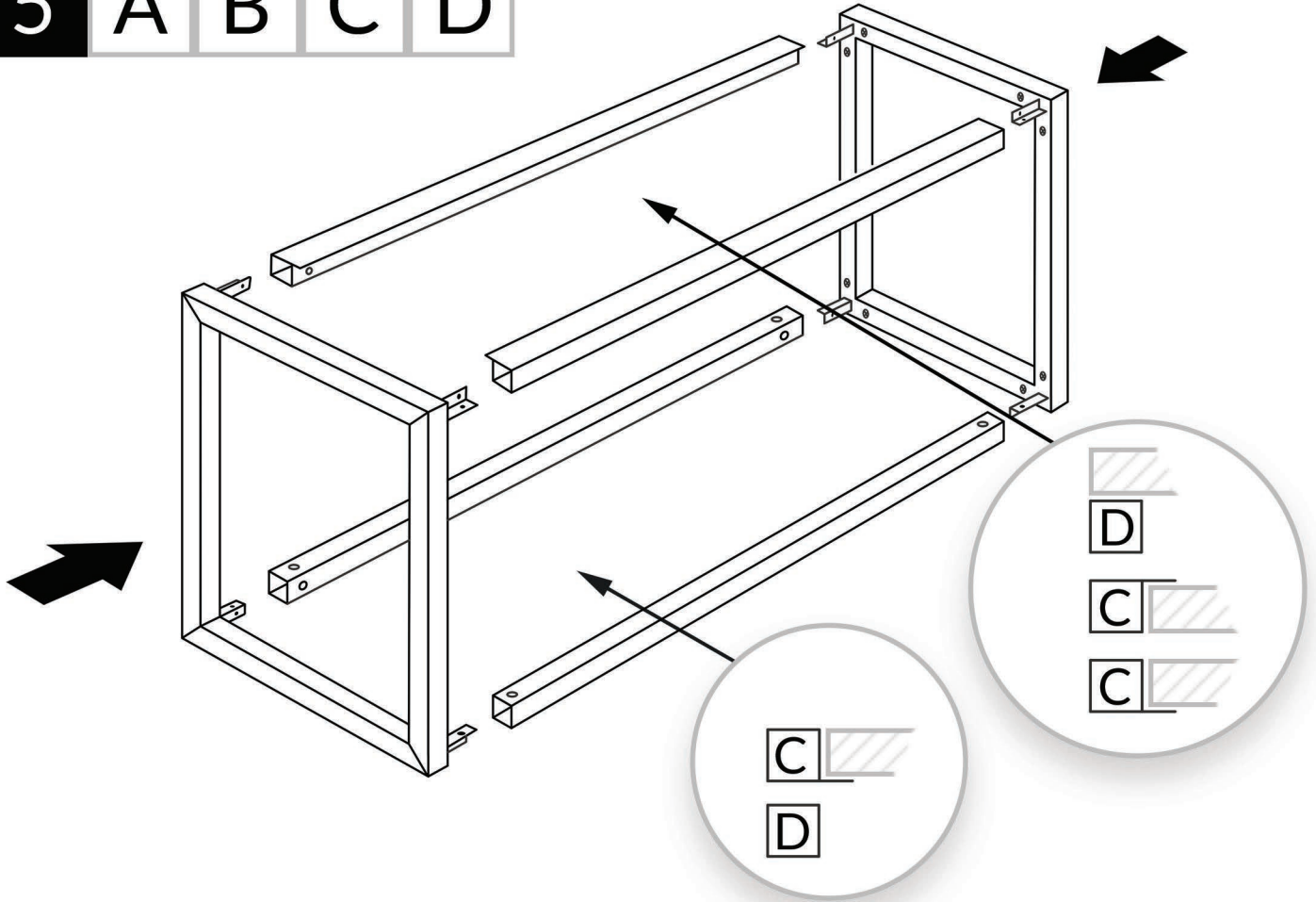
5

A

B

C

D



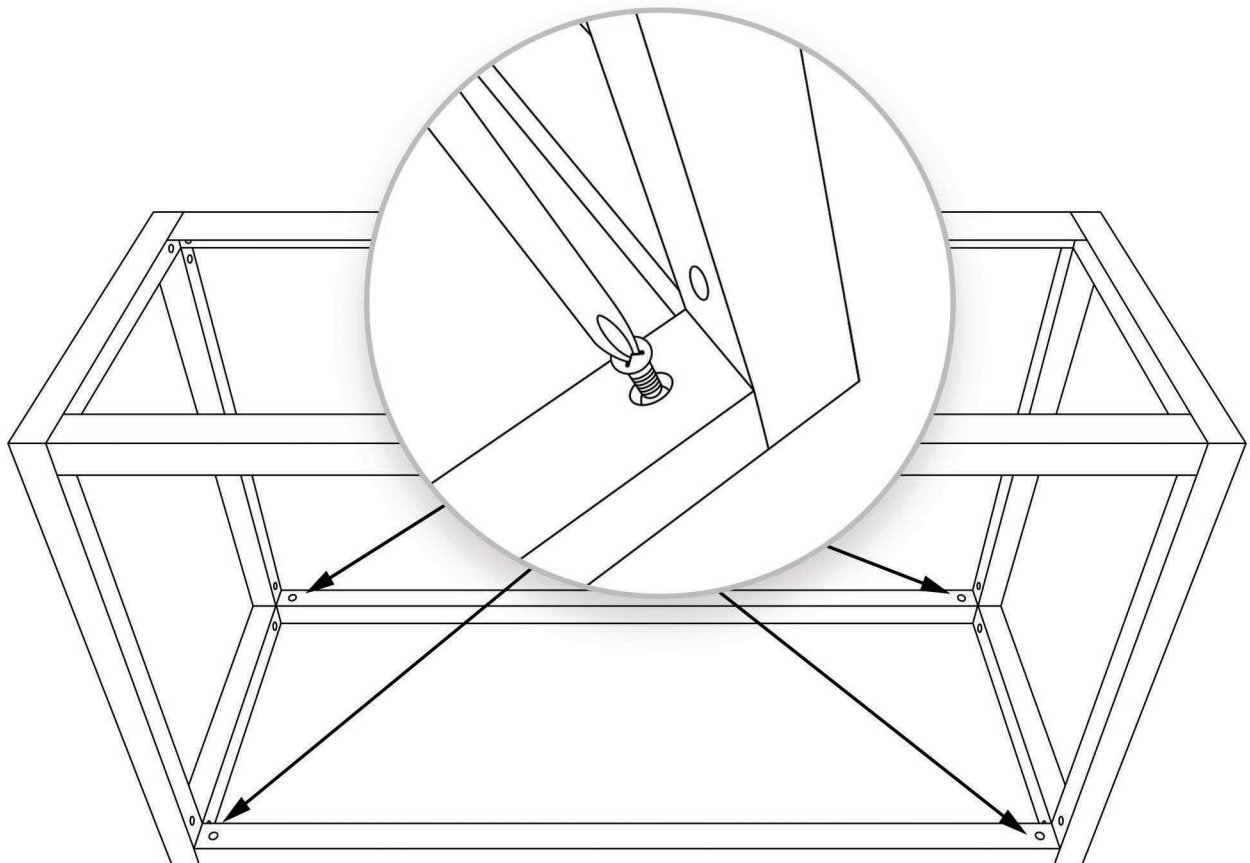
6



E

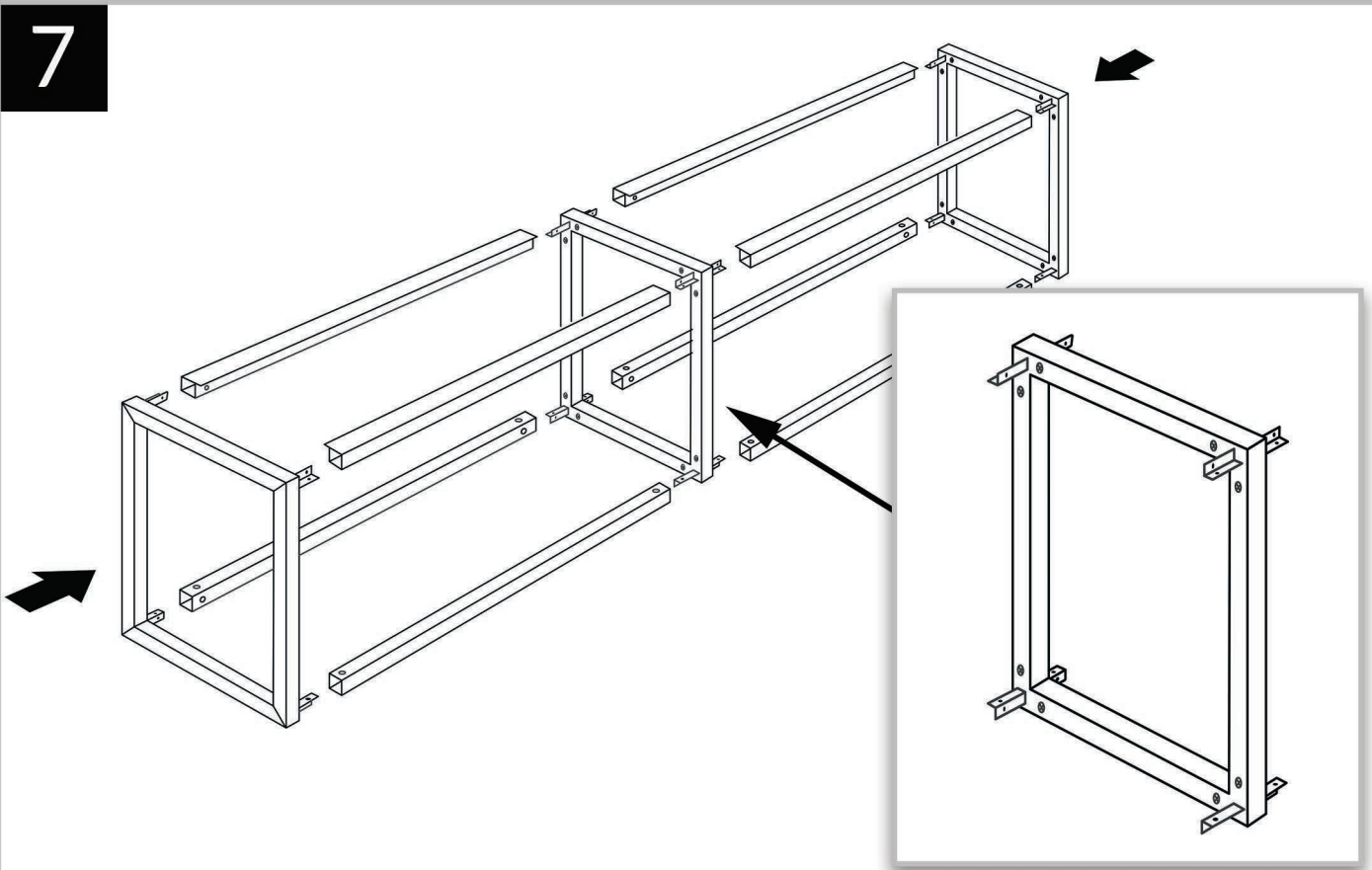


G

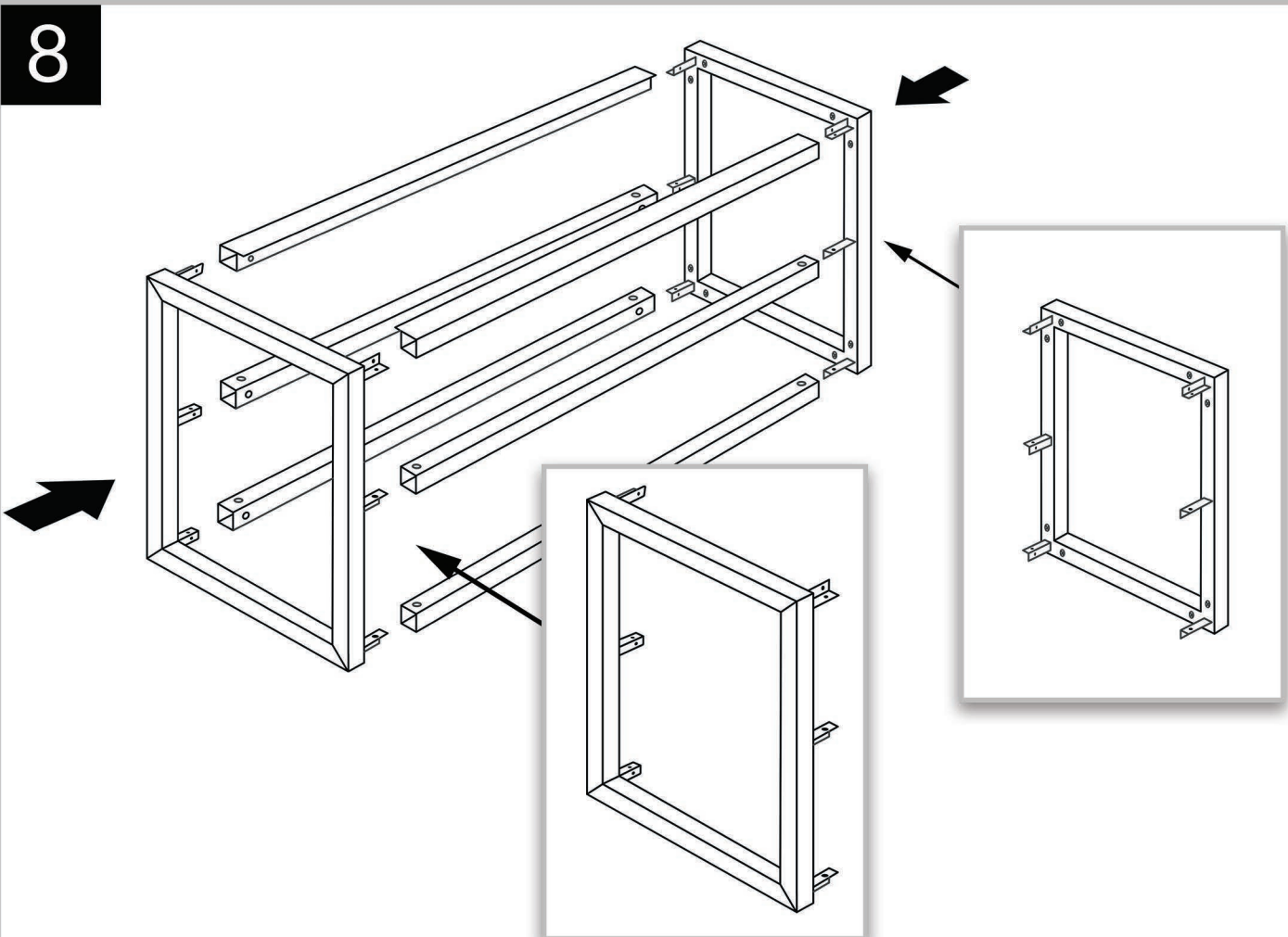


MULTI-SEGMENT VERSION

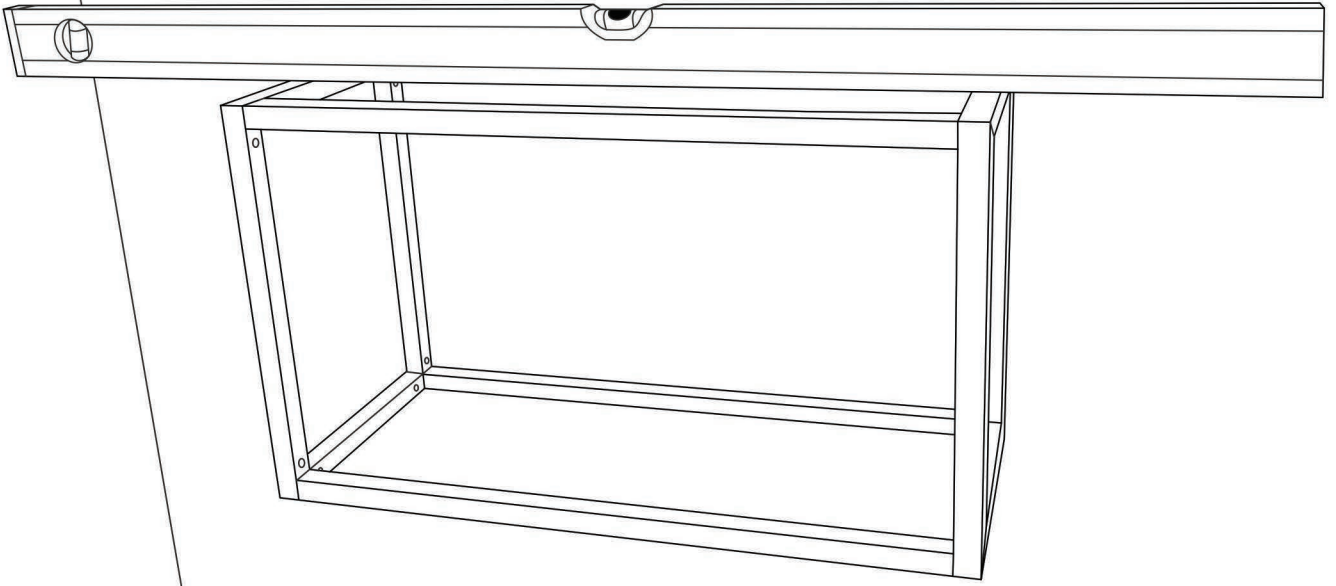
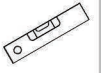
7



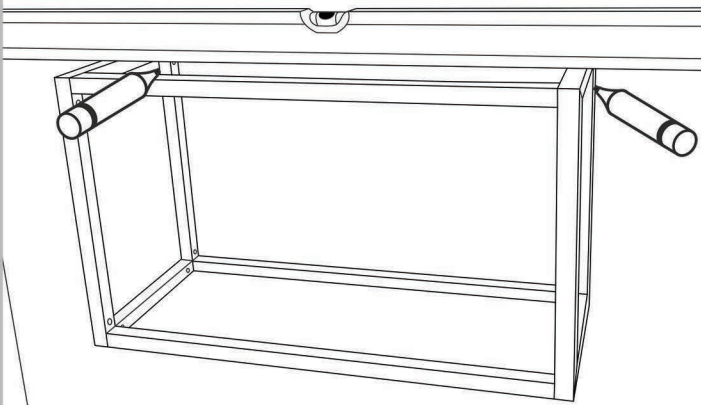
8



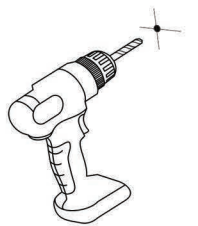
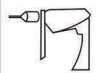
9



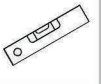
10



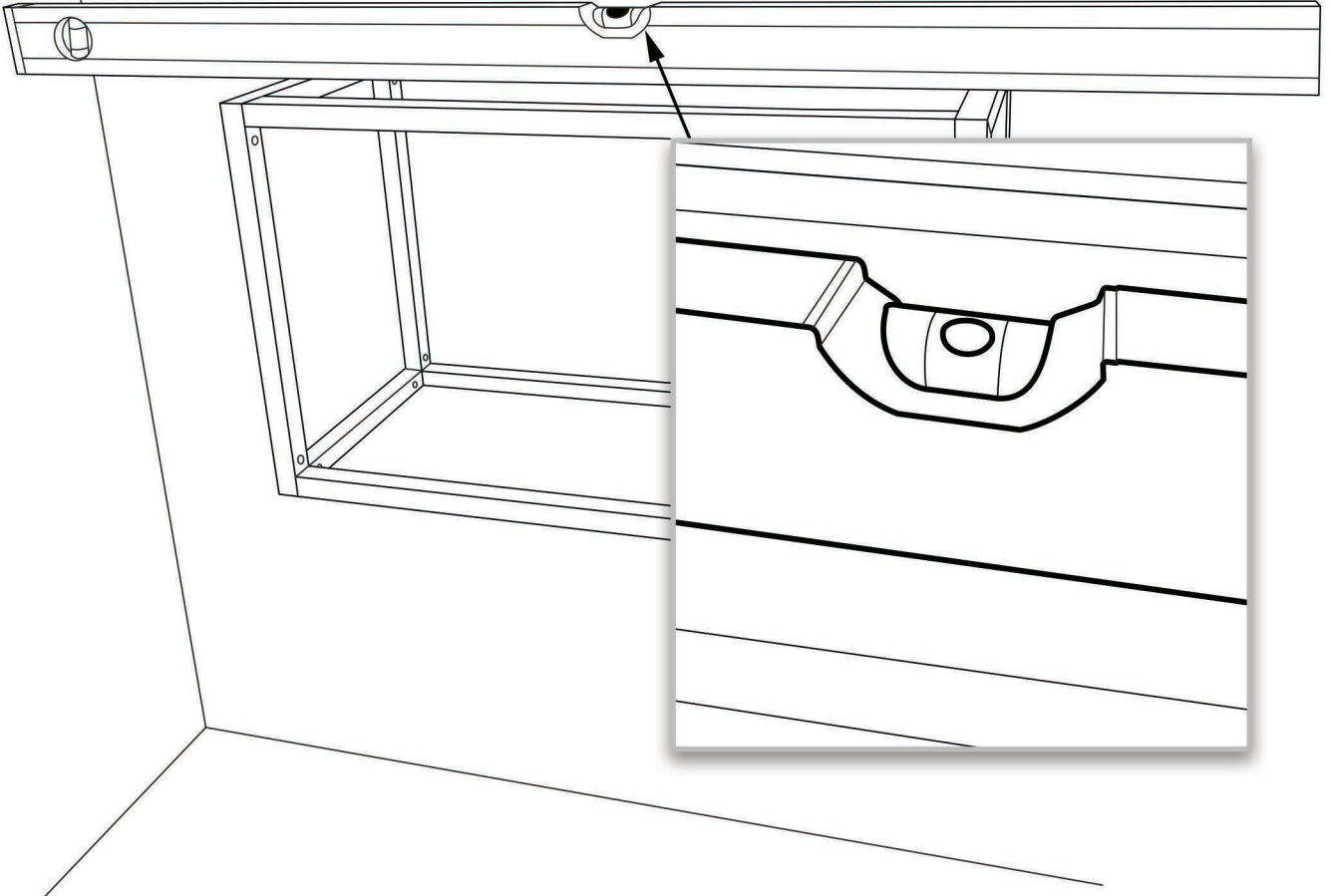
11



12



WALL MOUNTING
SCREW VERSION



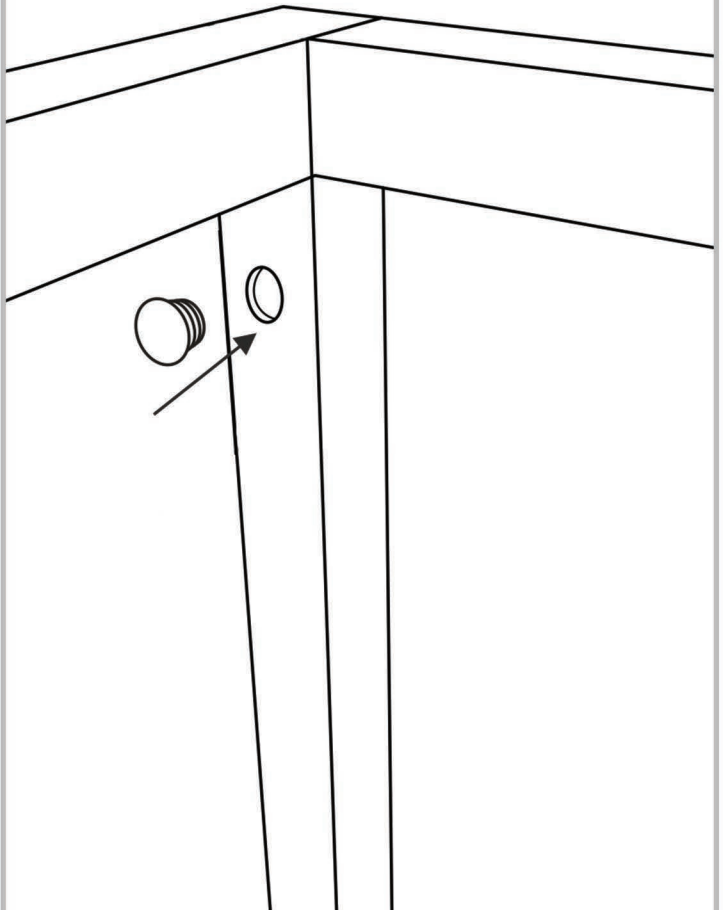
13



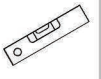
max fi 6

14

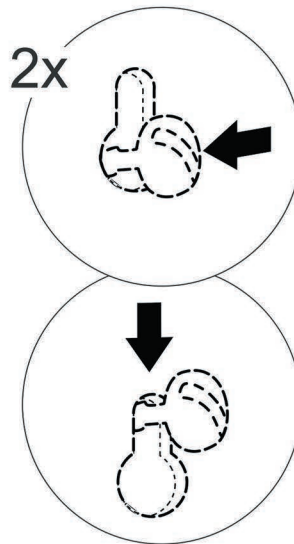
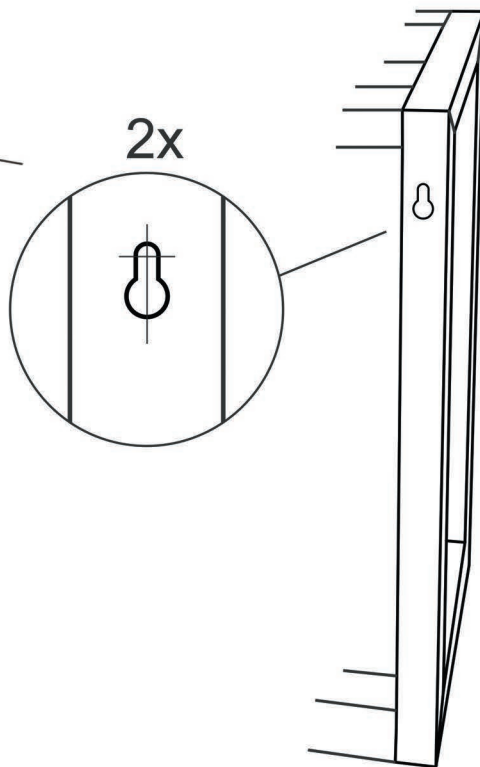
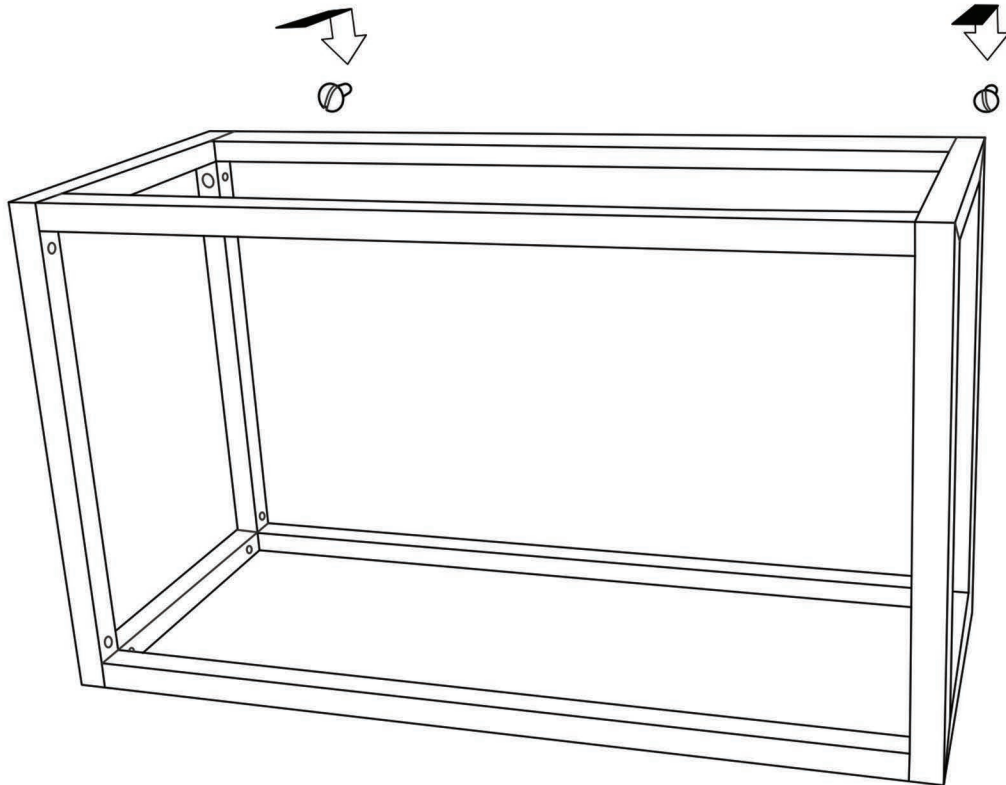
F



15



WALL MOUNTING HANGED VERSION



Assembly instructions:

- study the assembly instructions
- equip yourself with the necessary tools
- create a mounting area
- start assembly

Maintenance tips:

- dusted carefully
- moisten a soft, clean cloth with slightly soapy water (or detergent) and wipe carefully

Keep your assembly instructions, if a piece was missing, it would be the easiest to communicate with your store



Never use abrasive products: powder, steel wool, solvents. Do not wet too much.



CRONOS
DESIGN